

# VB21S3

## Widelux3 Super-Res Mini Bullet Camera



VB21S3-W36

VB21S3-B36

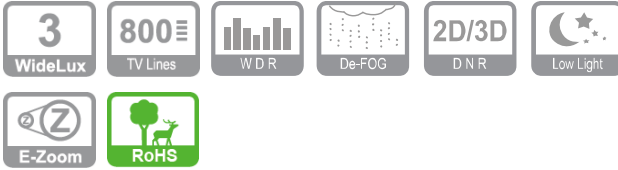
VB21S3-P37P



VB21S3-P37C

VB21S3-H36

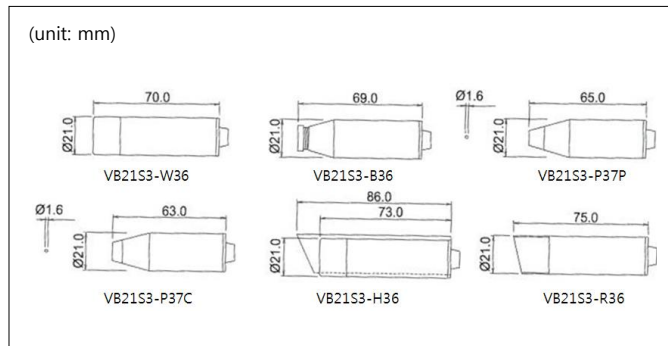
VB21S3-R36



### Key Features

- \* 1/3" Sony 960H Double Scan Super HAD CCDII
- \* Horizontal resolution of over 800 TV-Line
- \* Auto Scene Recognition and Scene Select function
- \* Super Wide Dynamic Range(WDR+ ATR-EX2)
- \* Coaxial communication
- \* 2D & 3D noise reduction
- \* IR-Optimizer
- \* Motion detection (Frame rate link)
- \* Polygon privacy mask
- \* HLC (High Light Compensation)
- \* E-Zoom (256x)
- \* Defog (Auto)
- \* DIS(Digital Image Stabilizer)
- \* DSS(Digital Slow Shutter)
- \* IP67 Weatherproof
- \* 12VDC

### Dimensions



### Specifications

MODEL	VB21S3
Image sensor	1/3" Sony 960H Double Scan Super HAD CCDII
Effective Pixels	NTSC : 976(H) x 494(V), PAL : 976(H) x 582(V)
H. Resolution	800TV Lines
Synchronizing system	Internal
Scanning system	NTSC : 525 Lines PAL : 625 Lines 2:1 Interlaced
Video output	1.0Vp-p Composite 75 Ohms
Gamma Correction	Standard $\gamma = 0.45$
Min. Illumination	Lux at F1.2(Sens-up Off), 0.001Lux at F1.2 (Sens-up. X512)
Smear Effect	0.005%
S/N ratio	More than 50dB (AGC OFF)
OSD	
Scene Select function	FULL AUTO / INDOOR / OUTDOOR / BACKLIGHT / ITS / CUSTOM(OFF)
PICT ADJUST	Brightness / Contrast / Sharpness / Hue / Color gain
EZOOM	electronic zoom images to ON or OFF
DIS	Digital Image Stabilizer function ON/OFF selection
PRIVACY MASK	15 EA Privacy mask setting
MOTION Detection	4 frames Monitoring frame function / 96EA Dead band setting
FLIP	Top bottom / Left right / Rotation by 180 degrees
LCD / CRT	Monitor type selection LCD / CRT
Communication	Coaxial Communication (Pelco-C only)
Camera ID	character string of up to 26 characters on 2 lines
Language	English / Spanish / Russian / Portuguese / German / French / Japanese
White pix mask	white pixel detection (AUTO / MANUAL / DATA CLEAR)
Shutter/AGC	Auto : 1/50[s] 1/60[s] ~ 1/100,000[s] Manual / Fix : 6 ~ 44.8[dB] / 2 ~ 256 FLD
White balance	1,800K ~ 10500K AUTO ATW / PUSH / USER1 / USER2 / Manual / PUSH LOCK
HLC / BLC	HLC / BLC / OFF control
WDR / ATR-EX	WDR / ATR-EX / OFF control
DNR	Adjusted to 0-6 steps
DAY / NIGHT	AUTO / DAY / NIGHT
IR OPTIMIZER	ON(AUTO, CENTER) / OFF
LENS Shading	ON / OFF
DEFOG	ON / OFF
Flickerless	AUTO / ON / OFF
ANTI CR	AUTO / ON / OFF
Lens	
Lens	2.9mm(120°), 3.6mm(92°), 4.3mm(78°), 6.0mm(54°), 8mm(39°) Pinhole Lens Option 2.8mm(120°), 3.7mm(90°), 5.0mm(60°)
Day & Night	
Electrical	
Power Source	12VDC
Operating current	90mA
Operation Temperature	-10°C to +50°C
Humidity	0% to 90% RH
Measurement(mm)	30(φ) 105.5(L)
Weight(Approx. g)	180 / 200 / 240g

\*specifications are subject to change without prior notice for improvement.

### Ordering information

Type	Series	
VB21	S3	- X
Bullet Camera	S3 = Widelux3	- 12 = 12VDC only