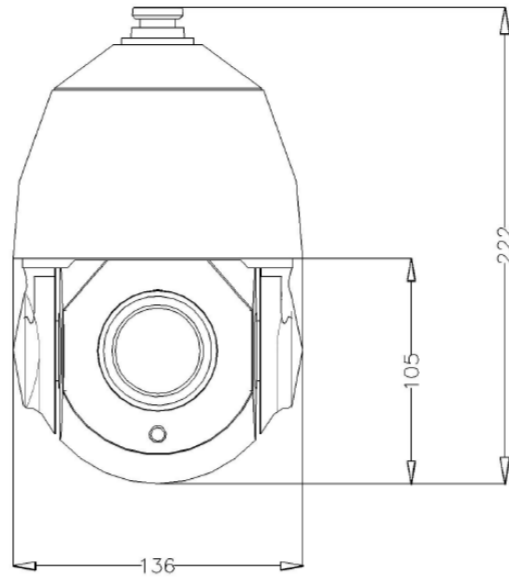


OUTDOOR TVI/CVI/AHD/CVBS PTZ CAMERA



Pan & Tilt	
Manual speed	Pan (0.1°~80°/s) Tilt (0.1°~80°/s)
IR distance	80M
Rotation	Pan continuously 360°, tilt 0~90° with auto-flip
Preset	128 preset, title can be edited
Auto-flip	Tilt down 90°, with auto-flip 180°
Scan	355°programmable, 4 scan
Pattern	4 patterns, and each record time is not less than 180s
Tour	4 tour, and speed & park time of presets can be set.
Idle run	tour/preset/pattern/scan can be set
Power up run	tour/preset/pattern/scan can be set

CAM SPEC	
Sensor	NVP2441H+IMX323
Effective Pixels	1920(H)x1080(V)
Signal System	PAL/NTSC
OPTICS	Optical x18, f = 5.35-93.6mm
Angle	Appr. 55.2°(Wide) to 3.2°(Tele)
Auto Focus	Auto / Semi-automatic / Manual
Zoom Speed	Approx.3.0s(Optical Wide-Tele)
Min. Illumination	Color : 0.5 lux , BW : 0.1lux
S/N (Y signal)	52dB
White Balance	Auto
ICR	Manual/Auto
DNR	Auto / Off / Low / Middle / High
HLC	Off / On
Max Gain	Auto
IRIS	Auto
FLIP	Vertical , Horizontal ,Vertical-Horizontal,OFF Selectable

IR	
IR distance:	80m
IR irradiation angle:	Adjustable by zoom

General	
Remote controlling	RS485,UTC
Baud rate (RS485)	2400 / 4800 / 9600/19200 bps
ID range	1-254(software add.)
Output	AHD&TVI&CVI/1080P CVBS/960H
Power consumption	9W/20W(IR_LED ON)
Power supply	DC 12V 2A
Temperature	-10℃~+50℃
Installation	Wall installation
Net weight	2.7kg
Size	Product size 222x136mm, Packing size Packing size 255x205x250mm
Protection Level:	IP66 standard (outdoor dome) TVS lightning protection, surge protection and voltage transient protection