

VD70EH-36IR

650TVL IR Dome Camera



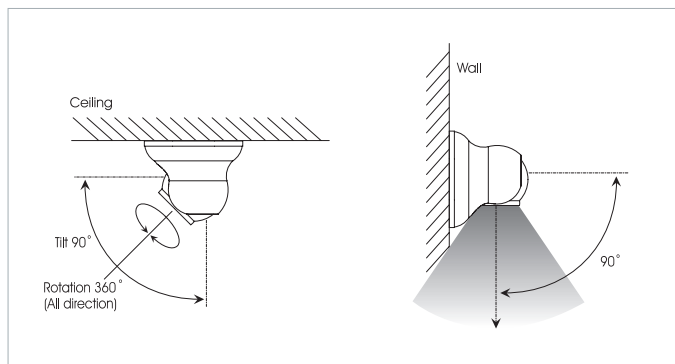
Key Features

- 1/3" Sony 960H Ex-view HAD CCD II
- 650TVL(D)/ 700TVL(N)
- New Color Signal Processing for High Color Reproduction
- 2D DNR(Digital Noise Reduction)
- 15M IR Beam Distance
- 3.6mm Fixed Iris lens
- CDS Day & Night
- Intelligent IR Image Compensation
- 3-Axis(All directional mount)
- IP66 Weatherproof
- 12VDC

Options

- Lens option : 2.9mm/ 4.3mm/ 6mm/ 8mm Fixed Iris lens

Perfect 3-Axis



MODEL	VD70EH-36IR
Image sensor	1/3" Sony 960H Ex-view HAD CCD II
Effective Pixels	NTSC : 976(H) x 494(V), PAL : 976(H) x 582(V)
H. Resolution	650TV Lines(Color)/ 700TV Lines(B/W)
Synchronizing system	Internal
Scanning system	NTSC : 525 Lines PAL : 625 Lines 2:1 Interlaced
Video output	1.0Vp-p Composite 75 Ohms
S/N ratio	More than 52dB (AGC Off)
Min. Illumination	0Lux
Shutter Speed	NTSC: 1/60~1/10,000 sec. PAL: 1/50~1/10,000 sec.
Gamma Correction	Standard $\gamma = 0.45$
White Balance	1,800°K ~ 10,500°K Auto
Gain Control	Standard : -6dB ~ 44.8dB Auto
Smear Effect	0.005%
Power source	12VDC
Operating current	100mA(IR Off), 240mA(IR On)
Lens(Standard)	3.6mm Fixed Iris lens
Lens(Option)	2.9mm/ 4.3mm/6mm/ 8mm Fixed Iris lens
LED Spectrum	850nm(5 ϕ x 14ea)
Viewable Distance	Up to 15M at Moonless Night
MTBF of IR	20,000 hours
Iris Control	Electronic
Operating temp./Humidity	-10°C ~ 50°C (Humidity : 0% RH ~ 90% RH)
IP Rating	66
Measurement (mm)	94(D)x75.5(L)
Weight (Approx. g)	650

Dimension

