

VB21EH

Bullet Camera



VB21EH-H

Clip on type roof

IP 67 Weatherproof

VB21EH-R

Screw on type roof

IP 67 Weatherproof

VB21EH-W

IP 67 Weatherproof

VB21EH-B

Indoor

VB21EH-PP

Indoor

Full Cone Pinhole

VB21EH-PC

Indoor

Semi Cone Pinhole

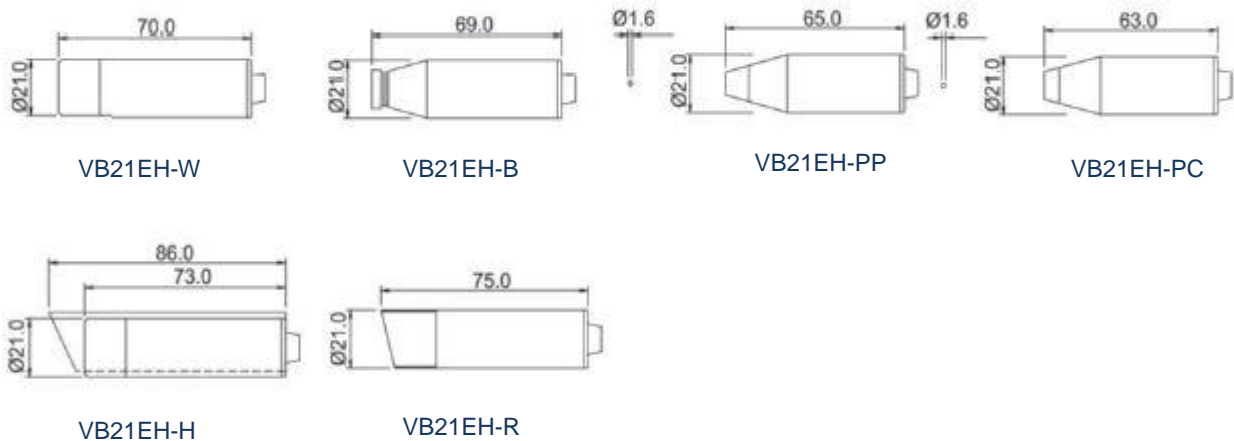
Key Features of Effio-E

- 1/3" Sony 960H Ex-view HAD CCD
- 650TVL(D)/ 700TVL(N)
- New Color Signal Processing for High Color Reproduction
- 2D DNR(Digital Noise Reduction)
- ATR(Adaptive Tone-Curve Reproduction)

Key Features of VB21EH

- Digital Day & Night
- 12VDC

Dimension



Specification

MODEL	VB21EH
Image sensor	1/3" Sony 960H Ex-view HAD CCD
Effective Pixels	NTSC : 768(H) x 494(V), PAL : 752(H) x 582(V)
H. Resolution	650TV Lines(Color)/ 700TV Lines(B/W)
Synchronizing system	Internal
Scanning system	NTSC : 525 Lines PAL : 625 Lines 2:1 Interlaced
Video output	1.0Vp-p Composite 75 Ohms
S/N ratio	More than 52dB (AGC Off)
Min. Illumination	0.1Lux(Color)/ 0.01Lux(B/W)
Shutter Speed	NTSC:1/60~1/100,000 sec. PAL:1/50~1/100,000 sec.
Gamma Correction	Standard $\gamma = 0.45$
White Balance	1,800°K ~ 11,000°K Auto
Gain Control	Standard : -6dB ~ 44.8dB Auto
Smear Effect	0.005%
Power source	12VDC
Operating current	100mA
Lens	VB21EH-H : 3.6mm/ 4.3mm/ 6mm/ 8mm/ 12mm/ 16mm VB21EH-R: 3.6mm/ 4.3mm/ 6mm/ 8mm/ 12mm/ 16mm VB21EH-W : 2.9mm/ 3.6mm/ 4.3mm/ 6mm/ 8mm/ 12mm/ 16mm VB21EH-B : 2.9mm/ 3.6mm/ 4.3mm/ 6mm/ 8mm/ 12mm/ 16mm/ 25mm VB21EH-PP : 2.8mm/ 3.7mm/ 5.0mm Full cone pinhole lens VB21EH-PC: 2.8mm/ 3.7mm/ 5.0mm Semi cone pinhole lens
MTBF	80,000 hours
Iris Control	Electronic
Operating temp./Humidity	-10°C ~ 50°C (Humidity : 0% RH ~ 90% RH)
IR Rating	VB21EH-H/R/W : 67
Measurement (mm)	Refer to dimensions
Weight (Approx. g)	200/VB21EH-H/R, 180/VB21EH-B/PP/PC