

RF Concepts Ltd

21C-W36



21C-W36
Weatherproof
Lens Exchangeable
0.5Lux/F2.0



Option
21C-W36
with Sunroof

→ Key Features

Crisp clear Color reproduction

The unit enjoys the quality advantages derived from 1/3" CCD sensor which shows better resolution and sensitivity than smaller CCD. It is further supported with our own noise-free power circuit and the company's know-how in integrating all necessary technical features into the small bullet housing. Eventually the unit is fully equipped with all functions that make the camera perform a perfect operation with true color, excellent sensitivity and long time reliability. It boasts of its supreme performance of producing true natural coloration which is close to that of human eye.

Lens Exchangeable

The smart idea with user friendly housing mechanism makes it possible to adapt a wide range of different focal lenses. Installer can change the lens with no special skill, very easily without changing the camera in order to fix the exact angle of view and suitable focal distance.

21CW-W36 21' - 120' AOV (2.9mm,3.6mm,4.3mm,6mm,8mm,12mm,16mm)

Condensation free

Our weatherproof versions provide a perfect solution for moisture leakage problem against any harsh weather condition. The camera is assembled in a clear vacuum status and further protected to stop moisture or water smearing into the camera under the continuous heating and cooling conditions by the fluctuating sunny and rainy weather.

Extremely Low Power Consumption & Wide working tolerance

It covers DC12V \pm 3V of power input and requires less than 90mA. This is critical for the reliability as it produces less heat and protects it from damage against bad power supply or fluctuating AC power input.

Super low light sensitivity

Used with super sensitive 1/3" CCD sensor, it is brighter than ever at dark illumination, 0.5 lux at F2.0. Additionally noise-free picture quality at dark view adds its low lux performance to maximum.

Compact Size

Incorporating all innovative features, these are used with 1/3" CCD format and made with the world's smallest size.

Beautiful design

Our fine craftsmanship reaches not only to the picture quality and compact size but also to the products GD (Good Design). All we manufacture have their own unique face and shape firstly aiming to best fit to the environment decorable to any place.

Easy Installation

Universal type of mounting structure plus user friendly developed camera design provides a useful way of installation mountable to any place such as on the ceiling, on the wall,

on the shelf or at the corner providing adjustable 360 degree of camera angle without permitting any invisible position.

IR Sensitivity (Option)

This is a new solution enabling our color cameras to work with a separate IR illuminator for DAY&NIGHT view.

Reverse Polarity protection built in

➔ Optional Features

Audio with C-Mic

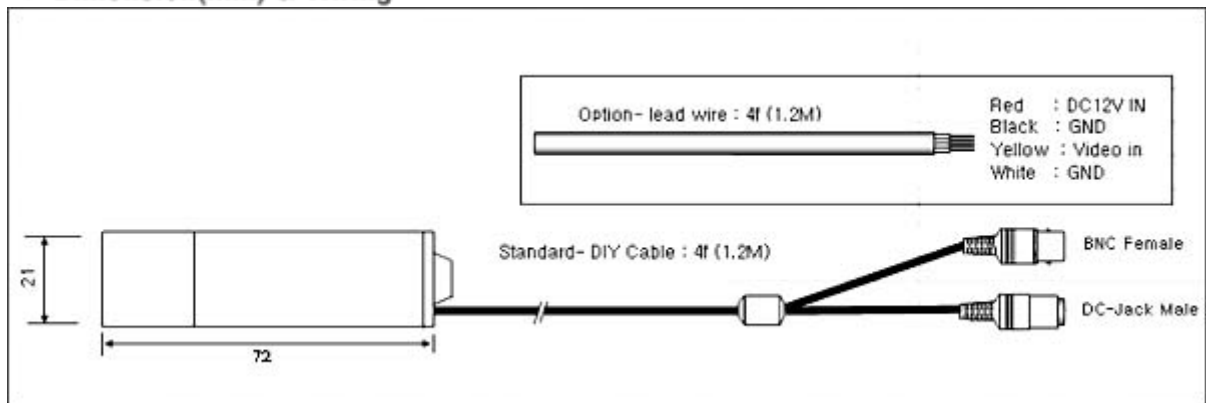
Reverse Image

Sunroof

➔ Specification

MODEL		21C-W43
Image sensor		1/3" Super sensitive DSP Color CCD
Effective Pixels		NTSC : 512(H)X492(V) PAL : 500(H)X582(V)
H.Resolution		380 TV Lines
Synchronizing system		Internal
Scanning system		NTSC 525 LinesPAL 625 Lines 2:1 Interlaced
Video output		1.0Vp-p Composite. 75 Ohms
S/N ratio		More then 50 dB (AGC Off)
Min. Illumination		0.5Lux at F2.0
BLC		Automatic
Gain Control		4dB~30dB Auto
Gamma correction		r=0.45
White balance		Automatic
Smear Effect		0.005%
Shutter speed		NTSC : 1/60i1/100,000 sec PAL : 1/50i1/100,000 sec
Lens	Standard	3.6mm(92φ ^a)
	Option	4.3mm , 6mm, 8mm, 12mm, 16mm
MTBF		80,000 hours
Power source		DC12V
Operating current		90mA w / regulated 12VDC in
Operating Temperature		14φ ^a F~122φ ^a F (-10φ ^a C~ + 50φ ^a C)
Humidity		Within 90% RH
Output Terminal		6 Foot DIY cable with BNC-Female for Video, DC Jack-Male for Power
Measurement(mm)		21(D)x72(L)
Weight(Approx.g)		132
Optional Function 1		External Audio with C-Microphone " - 35dB / mV "
Optional Function 2		Reverse(Mirror) Image
Optional Function 3		Infra-Red Light sensitive without losing the true coloration at day light

➔ **Dimension(mm) & Wiring**



➔ **Swivel Mount**

