

IR 48EA PIPE CAMERA

SK-P361IR/M863, SK-P371IR/M503

Features

- 40M range visible in total darkness with 48pcs of IR LEDs
- Waterproof(IP67)
- 3-Axis Bracket for 3D(Pan/Tilt/Roll) rotation
- Split Glass Technology
- 1/3" COLOR SONY Super HAD CCD II

[SK-P361IR/M863]

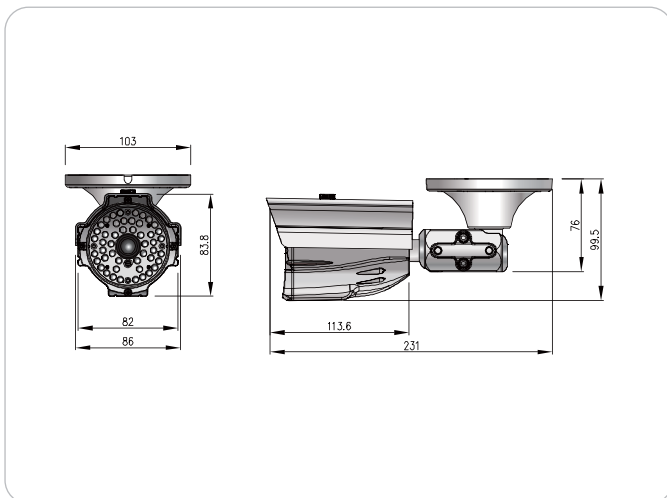
- Supreme Resolution (600TV-Line : Color, 680TV-Line : B/W)
- IR LED output level controllable via RS-485
- All controls with external easy access remote controller
- Multi-language Full OSD support
- MULTI FUNCTION : Lens Shading Compensation, High Light Mask, Motion Detection, Privacy Mask, Defect Pixel Correction, Mirror
- Option : RS485 Interface(PELCO-D, PELCO-P)



IR 48EA DAY&NIGHT CAMERA

Dimension

Unit : mm



Specification

Model	SK-P361IR/M863	SK-P371IR/M503
Image Sensor	1/3" COLOR SONY SUPER HAD CCD II	
Pixel	410K	270K
Scanning System	2:1 Interlace	
Sync. Type	Internal	
Resolution	600 TV-LINE(COLOR), 680 TV-LINE(B/W)	380 TV-LINE(COLOR)
S/N Ratio	48dB or More(AGC OFF)	
Video Output	1.0 Vp-p(Sync. Negative) Termination 75Ω	
Min. Illumination	0.1 Lux(F/1.2)	0.05 Lux(F/1.2)
	0 Lux (40M Range at LED HIGH) : Indoor	
Gamma	$\gamma=0.45$ typ.(0.45, 0.6, 1.0, user)	
OSD	Yes(Multi Language)	-
White Balance	ATW(2,500°K~9,500°K) / MANUAL / AWC	AUTO
Shutter Speed	1/60(1/50)~1/100,000sec	
Backlight	BLC/HLC/OFF	-
AGC	LOW/MIDDLE/HIGH/OFF	AUTO
Motion Detection	ON/OFF (64 Block)	-
Privacy Zone	ON/OFF (4 Zone)	-
Mirror	ON/OFF	-
Day & Night	ELECTRONIC D&N	
LED Brightness	48pcs (LOW, MIDDLE, HIGH, OFF)	48pcs
Communication(Optional)	RS-485 (Protocol : Pelco D, Pelco P)	-
Lens	Fixed focal lens	
Power Supply	Regulated 12V DC \pm 10%	
Current Consumption	MAX. 650mA(at 12V DC) : LED ON	
Operation Temp.	-10°C ~ 50°C	
Preservation Temp.	-20°C ~ 60°C	
Dimension	86(W) X 83.8(H) X 113.6(D)mm	
Weight	Approx. 870g	