

Product Information

VN55S is a Super WDR Day/Night IR Camera suitable for both indoor and outdoor application with IP67 weatherproof design. With long range(850nm) infra-red LED x50ea, the unit can view up to 30M at 0 Lux darkness.

VN55S shows excellent performance of sensitivity in low light conditions and enhances the resolution up to 650TVL.

The model has a smart self-focus adjustment technology that precisely corrects the distorted focus under IR illumination.

Built-in IR LED protection technology intelligently prevents IR LEDs from burning out and extends the performance of IR LEDs for extremely long time.

The unit passed IP67 test and guarantees moisture condensation-free on the glass in any harsh weather condition.

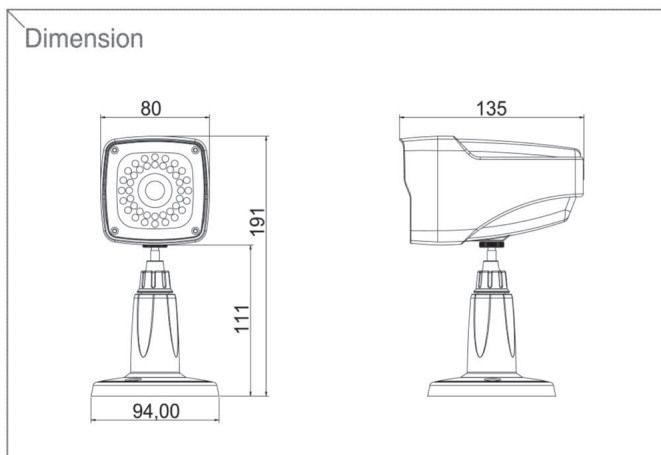


Special Features

- Patented IIRP(Intelligent IR Protection) technology guarantees Extended IR Life Cycle
- Intelligent IR Image Compensation
- Accurate Day/Night Switching over by using lens built-in CDS sensor to reflect the lux level of the subject
- IR Corrective lens built-in
- Separated camera from cable with complete waterproof connection

General Features

- Super Wide Dynamic(WideLux chip embedded - Ref. page11)
- 600TVL(Day)/650TVL(Night) • 2D/3DNR(Noise Reduction)
- Night Sensitivity up to 30M • Motion Detection
- DIS(Digital Image Stabilizer) • Highlight Eclipse
- RS-485 Interface(Pelco-D)
- IP67 Weatherproof
- 12VDC



MODEL	VN55S
Image sensor	1/3" Sony Super HAD CCD II
Effective Pixels	NTSC : 768(H) x 494(V) PAL : 752(H) x 582(V)
H. Resolution	600 TV Lines(Day) / 650 TV Lines(Night)
Synchronizing system	Internal
Scanning system	NTSC : 525 Lines PAL : 625 Lines 2:1 Interlaced
Video output	1.0Vp-p Composite 75 Ohms
S/N ratio	More than 52dB (AGC Off)
Min. Illumination	0Lux
Shutter Speed	NTSC:1/60~1/100,000 sec. PAL:1/50~1/100,000 sec.
Gamma Correction	Standard $\gamma = 0.45$
White Balance	1,800°K ~ 11,000°K Auto ATW/Push Lock/Manual selectable by OSD
Gain Control	Standard : -6dB ~ 34dB Auto / Maximum by OSD
Smear Effect	0.005%
Power source	12VDC
Operating current	120mA (IR "Off" Day) 620mA (IR "On" Night)
Lens	3.6mm(92°)
Lens(Optional)	4.3mm(78°), 6mm(54°), 8mm(39°)
Viewable Distance	Up to 30M at Moonless Night
MTBF of IR	20,000 hours
Iris Control	Auto
Operating temp./Humidity	-10°C ~ 50°C (Humidity : 0%RH ~ 90%RH)
Measurement (mm)	80(W) x 80(V) x 135(L)
Weight (Approx.g)	960 Incl. Bracket
Function	
WDR	Off / On (User selectable by OSD)
2D/3DNR	Off / On (User selectable by OSD)
Sens-up	Off / 2x ~ 512x
Motion Detection	On/Off (8 Zone setting available)
Digital Zoom	Off, X1 ~ X6
White Balance	Auto (ATW) / Push Lock / User Selectable
Privacy Mask	Off / On (8 Zone setting available)