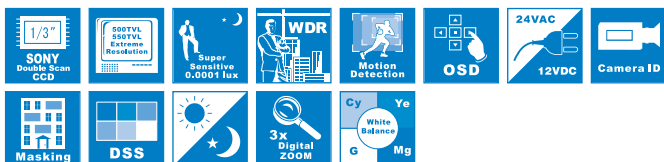


Product Information

VC57WD is a WDR day/night camera specially designed for the professional Day/Night surveillance. At daytime, the camera features a 500TVL Color image and at nighttime, the image is converted into real B/W mode (Color signal removed) resulting in the resolution and sensitivity greatly enhanced. The unique wide dynamic technology with smart & easy-to-use OSD settings provides users with always the optimum solution for the best image quality at various situations. The camera incorporates an Intelligent CDS sensor and mechanical day/night dual filter system so that the filter is accurately switched on and off with the image changed from Color to B/W or B/W to Color mode at a designated Lux level by OSD. With user friendly IR Link outputs, installers can easily connect any type of IR illuminator on the spot. Specially designed power circuit enables the camera to be operated from DC11V to DC40V and from AC15V to AC30V maximizing the reliability of the unit from power fluctuations. This wide tolerance accepts most of unstable power supplies without failure before or after installation.



Key Features

- Super Wide Dynamic (sWDR)
- Easy-to-use OSD functions (possible to control locally or remotely)
- C/CS and Flange-back focus adjustment lever built-in
- IR Sensitive mechanical Day/Night filter system built-in
- True Color at Day and Real B/W at Night conversion
- IR Connection terminals (two types) built-in
- Optic photo sensor built-in
- High performance 1/3" Sony Double Scan CCD
- High resolution of 500 TVL at Day/550 TVL at Night
- Greatly enhanced Sensitivity of 0.0001 Lux at F1.2
- Roll free picture with 24VAC Line Lock
- DC12V or DC12V/AC24V Non-polarity Dynamic dual power input
- Auto DC/VIDEO iris
- Optic photo sensor built-in
- Camera ID
- Digital zoom(1x ~ 3x)
- Digital Slow Shutter (DSS)
- Privacy masking
- Power option : 12VDC, 12VDC / 24VAC, 230VAC

True Day & Night image conversion for 24 hours clear view



True Day/Night switching

The image is converted to B/W mode from Color and the IR cut filter is automatically removed at a designated Lux level by OSD.



True Color with a Blue filter/Precise focus with IR filter

This dual filter mechanism is uniquely designed to have a blue filter in daytime for a precise color reproduction and to have an IR focus corrective filter at nighttime so that there is no focus shift when the IR lights are activated.

Super Wide Dynamic (sWDR)

Light level is controllable with provided easy-to-use OSD menu that enables the camera to be ideally set up for the most of different levels of backlit or contrast lighting situations.



BLC OFF



BLC ON



VC57WD

The Maximum sensitivity with the best sensor and the latest technology

Used with the latest Sony Double scan CCD sensor, the VC57WD provides the highest light sensitivity of 0.2 Lux/F1.2. In addition the built-in Day/Night function completely removes the color signal noises for an ultra clear nighttime image quality.



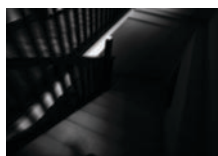
Conventional



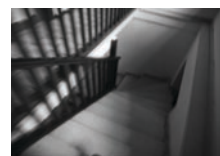
VC57WD

Digital Slow Shutter (DSS)

The DSS function allows the camera can display the bright image even in extreme darkness.



2x



80x



160x

Day/Night signal link output (IR link)

VC57WD has an output that can be connected with the manufacturer's IR illuminator.

This link offers an accurate time of image change from Color to B/W and returning from B/W to Color and the IR on/off at the same time.

VC57WD | Wide Dynamic True Day & Night camera

Greatly improved Day & Night response

Does the picture convert itself between color and b/w at the right time exactly and is the IR illumination on and off at the same time as well? A new technology of Day and Night control is added to this device. An accurate control of image conversion and a precise operation of day & night filter movement at the right moment, gives a reliable image capturing capability in Color mode at daytime and in B/W mode at nighttime.



Camera ID setting

Users can use the camera identification (Camera ID) to assign a name of the camera. The camera ID consists of up to 15 alphanumeric characters.

Digital Zoom (1.5x, 2x, 3x)

The screen can be digitally zoomed with provided OSD control.



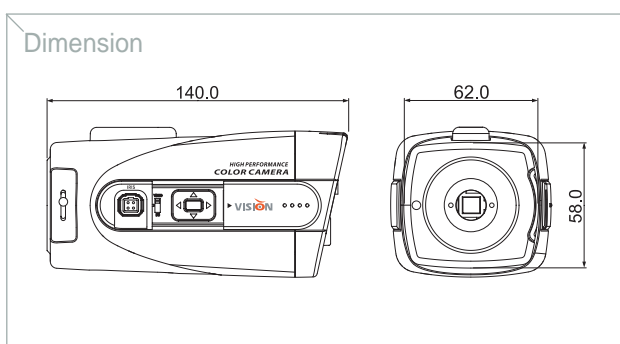
Privacy zone masking

When the unit is observing a wide area, the captured image can be masked for privacy purposes. Users can easily configure the size and position of the required privacy zones.



Dual switching power (w/Auto Line-lock)

The unit builds in highly efficient switching power control that self configures 12VDC or 24VAC input and 24VAC line pulse automatically (Automatic line-lock). Double insulated power design guarantees no ground loop when used with multiple cameras and system equipment together through one power source.



| MODEL | VC57WD |
|-------------------------|---|
| Image sensor | 1/3" Sony double scan CCD |
| Effective Pixels | NTSC : 768(H) x 494(V) PAL : 752(H) x 582(V) |
| H.Resolution | NTSC : 500 TV Lines (at Day) / 550 TV Lines (at Night) PAL : 490 TV Lines (at Day) / 540 TV Lines (at Night) |
| Synchronizing system | Internal / Line Lock |
| Scanning system | NTSC 525 Lines PAL 625 Lines 2:1 Interlaced |
| Video output | 1.0Vp-p Composite. 75 Ohms |
| S/N ratio | More than 48 dB (AGC Off) |
| Min. illumination | 0.2 Lux at F1.2 (DSS off) / 0.0001 Lux at F1.2 (DSS on) |
| Back Light Compensation | ON / OFF by OSD |
| Shutter Speed | NTSC:1/60~1/100,000 sec PAL: 1/50 ~ 1/100,000 sec |
| Gamma correction | Standard $\gamma=0.45$ |
| White Balance | 2100°K ~ 9100°K Auto ATW / Push Lock selectable by OSD |
| Gain Control | Standard: -6dB ~ 42dB Auto / Maximum by OSD |
| Smear Effect | 0.005% |
| Power source | DC12V / AC24V Dual power |
| Operating current | 260mA at 12VDC, 130mA at 24VAC |
| Lens | C / CS Mount |
| Iris Control | ESC / Auto by slide switch |
| Operating Temperature | 14°F ~ 122°F (-10°C ~ +50°C) |
| Humidity | Within 90% RH |
| Measurement (mm) | 62(W) x 58(V) x 140(L) |
| Weight (Approx.g) | 500 |
| OSD Menu | |
| WDR | Off/On (User selectable by OSD) |
| White balance | Auto (ATW)/Push Lock/User selectable (Push: 1800°K~10,500°K) |
| Gain Control | Low, Middle, High, Off Selectable |
| Shutter speed | 1/60 - 1/110,000 sec (NTSC), 1/50 - 1/100,000 sec (PAL) |
| Digital Slow Shutter | Off/2 x ~ 160 x (DSS) |
| Privacy Masking | On / Off (4 programmable zones) |
| Digital zoom | OFF, 1.5 x, 2 x, 3 x. |

