

ADVANCED HIGH RESOLUTION COLOR CAMERA

SK-B160, SK-B160X

Features

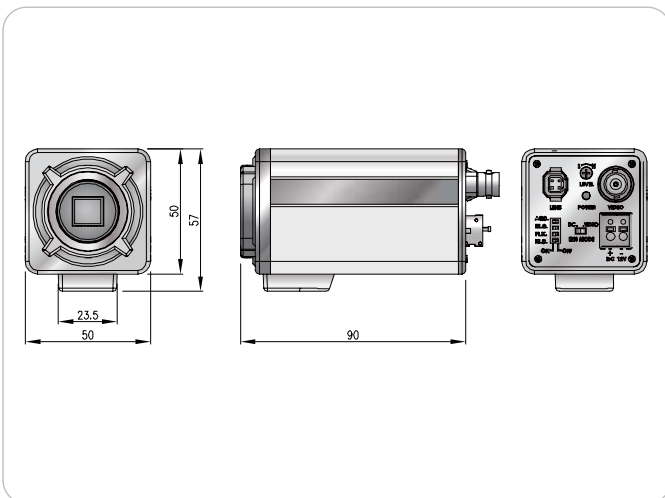
- 550TV-Line(SONY HQ1 Chipset)
- Dynamic blemish compensation
- 1/3" COLOR SONY SUPER HAD CCD : SK-B160
1/3" COLOR SONY EXview HAD CCD : SK-B160X
- Anti-color rolling
- AGC High, BLC, Flickerless, ELC-ON/OFF



STANDARD C&CS
CAMERA

Dimension

Unit : mm



Specification

MODEL	SK-B160	SK-B160X
Image Sensor	1/3" COLOR SONY SUPER HAD CCD	1/3" COLOR SONY EXview HAD CCD
Pixel	410K	
Scanning	2:1 Interlace	
Sync. Type	Internal	
Resolution	550TV-Line	
Video Output	1.0Vp-p(Sync. Negative) Termination 75Ω	
Min.Illumination	0.1Lux	0.05Lux
	F/1.2, Video level 40IRE, AGC High	
S/N Ratio	45 dB or More(AGC OFF)	
Gamma	$\gamma=0.45$ typ	
Iris Lens	ELC/DC/VIDEO	
BLC	ON/OFF	
AGC High	ON/OFF	
Flickerless	ON/OFF	
White Balance	ATW	
Shutter Speed	ELC ON : 1/60 ~ 1/100,000 sec(NTSC) 1/50 ~ 100,000 sec(PAL)	
	ELC OFF : 1/60 sec(NTSC), 1/50 sec(PAL)	
	FLK ON : 1/100 sec(NTSC), 1/120 sec(PAL)	
Power Supply	Regulated 12V DC $\pm 10\%$	
Current Consumption	Max. 180mA(at 12V DC)	
Operation Temp.	$-10^{\circ}\text{C} \sim 50^{\circ}\text{C}$	
Preservation Temp.	$-20^{\circ}\text{C} \sim 60^{\circ}\text{C}$	
Dimension	50(W)x57(H)x90(D)mm	
Weight	Approx. 200g	