

Miniature CS mount Camera SK-B260, SK-B270 Manual

Features

1. You can adjust all functions by OSD.
2. This camera supports the advanced high resolution, [530 TV Line(SK-B260) / 380 TV Line(SK-B270)]
3. This camera has "non-polarity" function. You can connect 12V DC regardless polarity.
4. Practical small size

Caution and Warning

1. Do not install the camera outdoors. Use weatherproof housing for outdoor.
2. Choose an ideal location for the camera, since the camera unit must be protected against moisture and vibration.
3. Be careful not to scratch the camera unit, especially lens glass.
4. Use the camera under proper temperature. (-10°C ~ +50°C)
5. Handle with care. Dropping it can cause serious damage to the camera.
6. Avoid any direct sun light into the lens.
7. Use the adaptor regulated 12V DC, 300mA.


Description of operation

1. Remove the protective rubber before installing a CS mount lens.
(If you use a C mount lens, add a C mount ring, -option)
2. Connect the Video output jack to the monitor Video in jack.
3. Connect power supply. Check the voltage.

Accessories

▶ C MOUNT RING -(option)



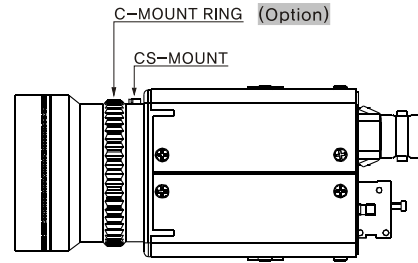
 If the product is to be put out of operation definitively, take it to a local recycling plant for a disposal which is not harmful to the environment.

Lens connection

※ The lens is not supplied with this camera

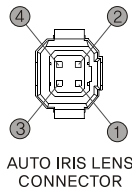
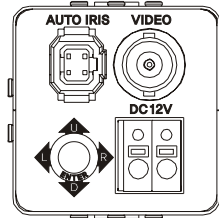
Manual iris lens

1. Before mounting a lens, please check whether it is a C mount or CS mount lens.
2. CS mount lens : After removing the protective rubber, attach the lens.
3. C mount lens : Before installing the lens, attach the C mount ring to the camera.
4. Set the LENS mode to "manual" by OSD.



Auto iris lens

1. Attach a DC lens as like the manual lens connection.
2. Connect the lens plug to the auto iris lens connector on the rear panel of the camera.
3. Set the LENS mode to DC and adjust DC level by OSD.

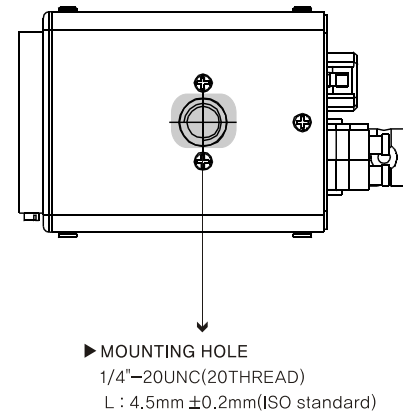
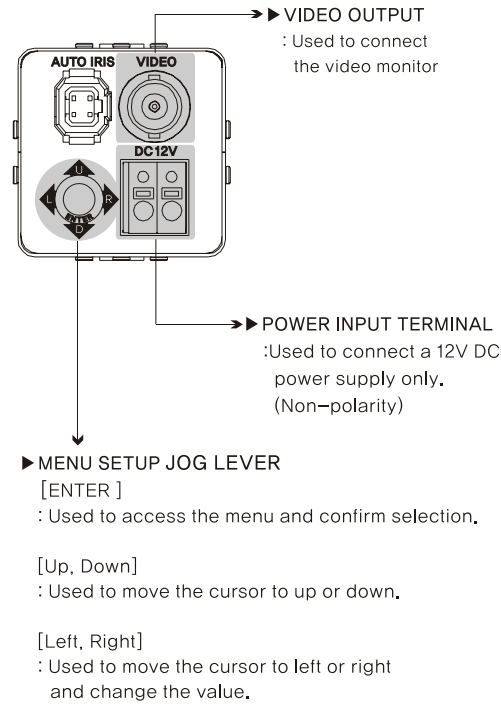


DC-TYPE

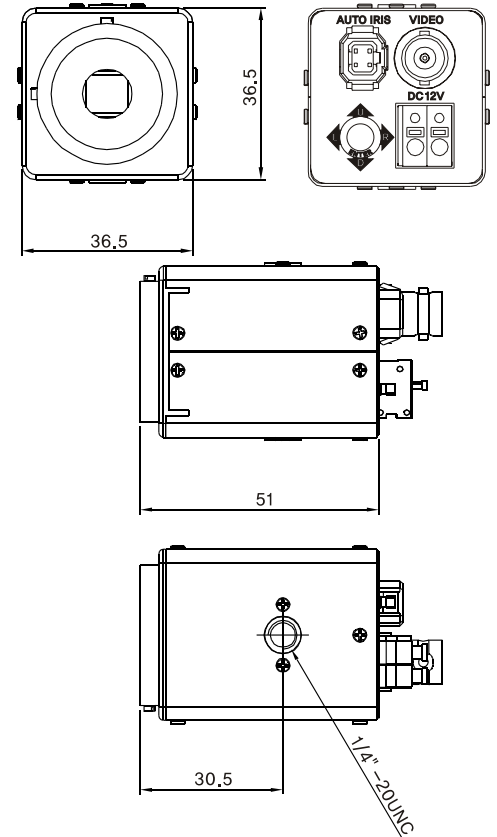
- 1: DAMP COIL-
- 2: DAMP COIL+
- 3: DRIVE COIL+
- 4: DRIVE COIL-

AUTO IRIS LENS CONNECTOR

Overview



Dimension



Troubleshooting guide

Before calling service, check the following points for possible misuse.

Problem	Check point
Too dark or bright picture	Readjust the Contrast or Brightness controls on the monitor.
No Power	Check for power connection.
Poor picture quality	Clean the camera lens. Readjust lens focus.
Shrinking picture	Check the condition of the Power sources.

If you can't correct the problem after going through this chart, contact a service professional for further assistance.

Specification

Mandel No.	SK-B260	SK-B270
Type	CCD CAMERA	
Image sensor	1/3" COLOR SHARP HIGH SENSITIVITY CCD	
Effective pixel	768(H) x 494(V)/PIXEL(NTSC) 752(H) x 582(V)/PIXEL(PAL)	512(H) x 492(V)/PIXEL(NTSC) 512(H) x 582(V)/PIXEL(PAL)
Cell size	6.4 μ m(H) x 7.5 μ m(V)(NTSC) 6.53 μ m(H) x 6.39 μ m(V)(PAL)	9.6 μ m(H) x 7.5 μ m(V)(NTSC) 9.6 μ m(H) x 6.34 μ m(V)(PAL)
Resolution	Color : 530 TV-LINE B/W : 580TV-LINE	Color : 380 TV-LINE B/W : 430TV-LINE
TV Type	NTSC, PAL	
Sync.type	Internal	
Scanning system	2:1 Interlace	
Scanning frequency (Horizontal)	15,734KHz(NTSC), 15,625KHz(PAL)	
Scanning frequency (Vertical)	59.94Hz(NTSC), 50Hz(PAL)	
Video output	1.0Vp-p(Sync,Negative) Termination 75 Ω	
Gamma characteristic	$\gamma=0.45$ Typ.(adjustable)	
Min.illumination	0.1 Lux (at F/1.2)	
D&N	Electric D&N	
S/N Ratio	45dB over(AGC OFF)	
Test Illuminance Area	Average test illuminance by front view	
Shutter	1/50(1/60) ~ 1/100,000 sec	
Voltage	Regulated 12V DC	
Current consumption	Max.105mA(at 12V DC)	
Reverse polarity protection	Non-polarity	
Lens mount	CS Mount	
Operation temp.	-10 $^{\circ}$ C ~ 50 $^{\circ}$ C	
Preservation temp.	-20 $^{\circ}$ C ~ 60 $^{\circ}$ C	
Dimension	36.5mm(W) x 36.5mm(H) x 61.5mm(L)	
Weight	Approx. 100g	

OSD Menu

OSD MENU	MODE	SUMMARY
LENS	MANUAL, DC	<ul style="list-style-type: none"> MANUAL : Fixed focal and fixed iris lens DC : DC iris (vari-focal) lens Brightness adjustable
SHUTTER	AUTO, FLK, FIXED, MANUAL	<ul style="list-style-type: none"> AUTO : Brightness adjustable FIXED : 1/60(1/50), 1/100(1/120), 1/250, 1/500, 1/2000, 1/5000, 1/10,000, 1/100,000 sec. Selectable MANUAL : 1/60(1/50) ~ 1/100,000(256 Steps)
BLC	OFF, ON	64 area selectable, 64 step adjustable
AGC	OFF, ON	256 step adjustable
WHITE BAL.	ATW, AWB, FIXED MANUAL	<ul style="list-style-type: none"> ATW : Auto tracking white balance AWB : 2,500 ~ 9,500$^{\circ}$K FIXED : Select 4 kinds fixed mode <ul style="list-style-type: none"> MODE1 : 2,500$^{\circ}$K MODE2 : 3,100$^{\circ}$K MODE3 : 5,100$^{\circ}$K MODE4 : 6,500$^{\circ}$K MANUAL : RED/BLUE 256 step adjustable
FUNCTION	Refer to the below table	
ADJUST	CONTRAST, SHARPNESS, CB_GAIN, CR_GAIN	<ul style="list-style-type: none"> CONTRAST : 256 step adjustable SHARPNESS : 32 step adjustable CB_GAIN, CR_GAIN : 256 step adjustable
EXIT		Saved all the setting menu, then exit
FUNCTION	MODE	SUMMARY
RETURN		Save the function menu and then return to the SETUP menu.
CAMERA ID	OFF, ON	<ul style="list-style-type: none"> Maximum length for the name display is limited 15 letters Position is selectable English capital letters, Numeral 0~9, 28 special letters with blank
MIRROR	OFF, ON	Set a horizontal image inversion
DAY&NIGHT	AUTO, COLOR, B/W	<p>AUTO MODE</p> <ul style="list-style-type: none"> DELAY : The time required to change at each mode(Color \leftrightarrow B/W) "1" means 0.5 second. (Default : 20 \approx 10 secretary) START LEVEL : The level to change color mode into B/W(Default : 150 \approx 1 Lux) END LEVEL : The level to change B/W mode into Color(Default : 20 \approx 4 Lux) <p>* User can select the value between 0.1Lux and 5Lux. * The changing point is subject to environment.</p>

		<p>※ Caution</p> <ol style="list-style-type: none"> Start level should be higher than End level, but lower than AGC level. Delay time should be above "10" ("0" means D&N function is off.)
MOTION	OFF, ON	<ul style="list-style-type: none"> ON MODE <ul style="list-style-type: none"> 64 area selectable Push the set button a few second after areas selected THRESHOLD : 256 step adjustable MOTION TRACE : ON/OFF
PRIVACY	OFF, ON	ON MODE : AREA SELECT (4Zones / Size / Color Programmable)
GAMMA	0.05 ~ 1.00 adjustable on 0.05 step	Factory default is 0.45
LANGUAGE	ENGLISH, KOREAN, JAPANESE, CHINESE	Set the language on setup menu
RESET		Reset your camera to factory default condition

※ Drawing a diagonal line with the jog lever might cause an error. In this case, exit and enter the menu again or turn off and on.

※ All specification is subject to change without notice to improve the quality.