

MINI BOX CAMERA

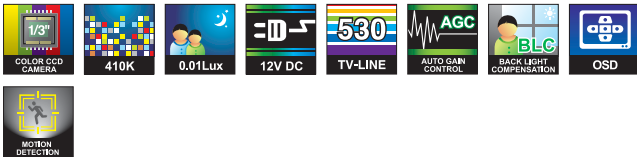
SK-B260, SK-B270

Features

- 1/3" COLOR SHARP HIGH SENSITIVITY CCD
- High resolution - 530 TV Line : SK-B260
- Low power consumption
- Electronic Day & Night
- Camera ID, Mirror, Motion Detection, Privacy zone function
- Multi-language(English, Japanese, Chinese, Korean) support
- Functions are controllable by the push buttons with full OSD

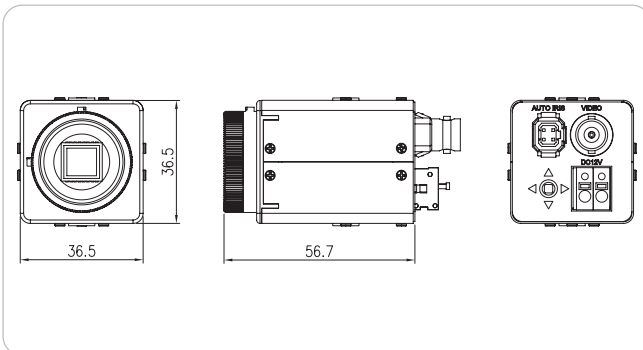


SK-B260



Dimension

Unit : mm



Specification

MODEL	SK-B260	SK-B270
CCD Type	1/3" COLOR SHARP HIGH SENSITIVITY CCD	
Pixel	410K	270K
Scanning	2:1 Interlace	
Sync. Type	Internal	
Resolution	Color : 530TV-Line B/W : 580TV-Line	Color : 380TV-Line B/W : 430TV-Line
Video Output	1.0Vp-p(Sync.Negative) Termination 75Ω	
S/N Ratio	45dB or More(AGC OFF)	
Gamma	γ=0.45 typ.	
Min. Illumination	0.1Lux(F1.2)	0.01Lux(F1.2)
Iris	ELC/DC	
Shutter Speed	ELC ON : 1/60(1/50) ~ 1/100,000sec ELC OFF : 1/60(1/50)sec FLK ON : 1/100(1/120)sec	
Day & Night	Electronic D&N(AUTO/COLOR/BW)	
BLC	ON/OFF(64 step, 64 area)	
AGC High	ON/OFF(256 step)	
Flickerless	ON/OFF	
White Balance	ATW/AWB/FIXED/MANUAL	
OSD	YES	
Motion Detection	ON/OFF(256 step, 64 area)	
Privacy Zone	ON/OFF(4 Zone)	
Mirror	ON/OFF	
Power Supply	Regulated 12V DC ± 10%	
Current Consumption	Max. 110mA(at 12V DC)	
Lens Mount	CS Mount	
Operation Temp.	-10°C ~ 50°C	
Preservation Temp.	-20°C ~ 60°C	
Dimension	36.5(W)x36.5(H)x61.5(D) mm	
Weight	Approx. 100g	