

## NETWORK IR CAMERA : 1.3 Mega Pixel Progressive scan CCD

# SK-N190XAI/R1

### Features

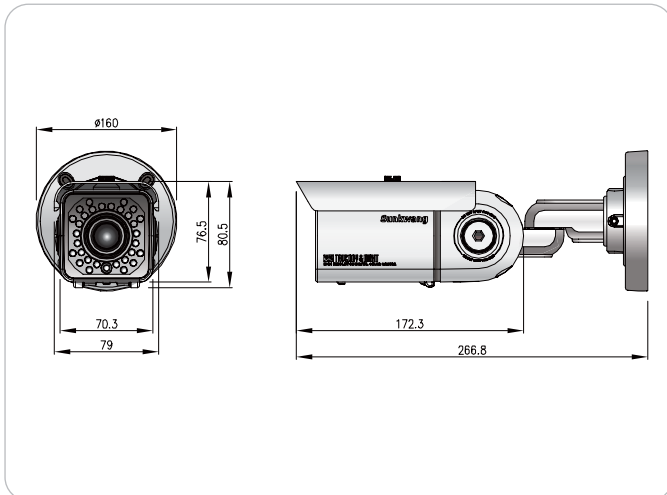
- Network IR camera over IP networks
- 1/3" Mega pixel Progressive scan SONY EXview HAD CCD
- High quality images up to QVGA(1280x960)
- Dual Codec(MPEG4/MJPEG)
- Built-in Web server
- DDNS support
- True Day & Night function(Exchange of two filters)
- Built-in 30pcs of IR LEDs
- OSD, Motion detection, E-Zoom(12X), Privacy zone
- Built-in 3-AXIS bracket(Wall & Ceiling Mount)
- Weather-proof(IP65)
- Long visible range at night(40m range, Indoor)
- POE(Power Over Ethernet)



NETWORK  
CAMERA

### Dimension

Unit : mm



### Specification

MODEL	SK-N190XAI/R1
Image Sensor	1/3" Progressive scan SONY EXview HAD CCD
Pixel	1.3Mega Pixel
Resolution	1,280x960(JPEG), 640x480(MPEG4)
Frame Rate	1,280x960 : 15fps(NTSC)/12.5fps(PAL) 640x480, 320x240 : 30fps(NTSC)/25fps(PAL)
Compression Codec	MPEG4/MJPEG(Dual Codec)
OS	LINUX
IP	Static/Dynamic IP
DDNS	Support
Protocol	HTTP, FTP, TCP/IP, DHCP, ARP, DNS, ICMP, RTSP
Multi Connection	10 USERS
Bit Rate	Max. 64Kbps ~ 5000Kbps
Day & Night	True D&N(AUTO, COLOR, BW)
Function	BLC/SENSE UP/MOTION DETECTION/PRIVACY ZONE/ ELECTRONIC ZOOM(12X)/MIRROR(H/V/R)
Min. Illumination	0 Lux(40M Range) : LED ON, Sense-up 4X - LED 30 pcs
Power Supply	Regulated 12V DC $\pm$ 10%, POE
Current Consumption	Max. 1A(at 12V DC)
Lens	Vari-focal auto iris mega pixel lens
Operation Temp.	-10°C ~ 50°C
Preservation Temp.	-20°C ~ 60°C
Dimension	79(W)x80.5(H)x172.3(D)mm
Weight	Approx. 1.22kg