

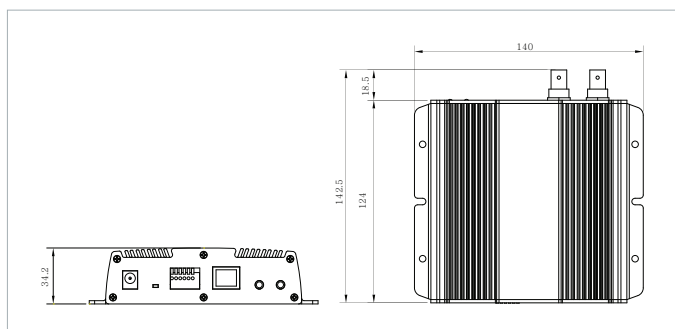
# NVS102

## 1CH Network Video Server



### Features

- Dual Streaming of H.264 and M-JPEG
- Up to 30 frames per second in all image resolutions
- Supports image resolutions up to D1
- Integrated motion detection with pre- and post-alarm image/video buffering
- Event-triggered FTP and email upload of still images and videos
- Full Duplex Two-Way Audio Support
- Support PTZ control (with Pelco-D/P protocol)
- Digital PTZ
- SD/SDHC Local storage, Event triggered, scheduled and continuous recording supported
- 1 Port analog video loop-out port (Concurrent use of IP video & CCTV)
- External microphone input & speaker output connector
- Terminal block for external sensors or external alarm devices
- Supports CBR (constant bit rate) and VBR (variable bit rate) modes
- Controllable frame rate
- Video access through any standard Web browser
- Supports IEEE 802.3af Power over Ethernet injectors, mid- and end-spans
- Integrated HTTP Web server supporting 50 simultaneous user connections
- HTTPS supported (Hyper Text Transfer Protocol Secured)
- Integrated E-Mail, FTP, DDNS and DHCP client
- Extensive CGI API for software integration and remote programming operations
- Including Windows based IP Installer and NVR(Network Video Recorder) software for up to 16 channels



MODEL		NVS102	
Classification		Specification	
General	CPU	32-bit ARM9 RISC CPU up to 533MHz, 32KB I/D-Cache, MMU	
	Video Buffer	16Mbyte Video Frame Buffer	
	Flash	16 Mbyte Flash Memory	
	SDRAM	256Mbyte	
Video	Analog Video Input	1 channel input through BNC	
	Video compression	H.264 baseline profile, Motion JPEG	
	Resolutions	Up to D1 (NTSC 720x480, PAL 720x576)	
	Frame rate	H.264 Up to 30fps with D1 MJPEG Up to 30fps with VGA resolution	
	Video streaming	Support multi stream with H.264, MJPEG controllable framerate VBR/CBR in H.264	
	Pan/Tilt/Zoom	PTZ camera control via Pelco-D/P protocol Digital PTZ, Preset, tour	
	Image setting	Brightness, Contrast, Sharpness control	
Audio	Output	1 x Composite(Loop-out) (1 Vpp 75 Ohm)	
	Audio streaming	Two-way, full duplex	
	Audio compression	G.711	
	Sample Rate	8KHZ	
	Data Rate	64Kbps	
	Audio input	Microphone input /1 x Line-In (Single Mono)	
Serial	Audio output	Line output/ 1 x Line-Out (Single Mono)	
	Port	RS-485, RS-232 (Internal Port for Console)	
Network	Data Rate	600bps~ 115200bps	
	Security	Password protection User access log HTTPS encryption	
System integration	Supported protocol	HTTP, HTTPS, FTP, SMTP, UPnP, DNS, DynDNS, NTP, RTSP, RTP, TCP, UDP, ICMP, DHCP	
	Intelligent video	Motion detection up to D1 with 32x24 blocks	
	Alarm trigger	Intelligent video External input/Normal Open/Close Type	
	Alarm events	File upload via ftp, e-mail Notification via email, FTP and TCP External output activation/Normal Open/Close Type	
	Video buffer	16MB pre-alarm and post-alarm	
	Recording	Save to SD/SDHC card with event mode and continuous mode	
	Firmware upgrade	Remote upgrade via network	
	API	CGI Interface document ActiveX Interface(ocx/dll) + document)	
	Physical	RESET Button	1 x Factory Reset Button
		Power Source	DC 12V/1.5A, PoE(Power over Ethernet): 802.3af
Power Consumption		Max. 3.5W	
Net Weight		1.2Kg	
LED's		Power, Network Connection	
Environment	Dimension	140mm(W) X347mm(H) X 124mm(D)	
	Operating Temperature	-10 degree~50 degree Celsius (14F~122F)	
Software	Storage Temperature	-20 degree~60 degree Celsius (-4F~140F)	
	Included Software	NVR Lite (16 Channel), IP Installer (Windows Only)	
Package	Package Contents	Network Camera, Use Manual, External Power Adaptor, Software CD	